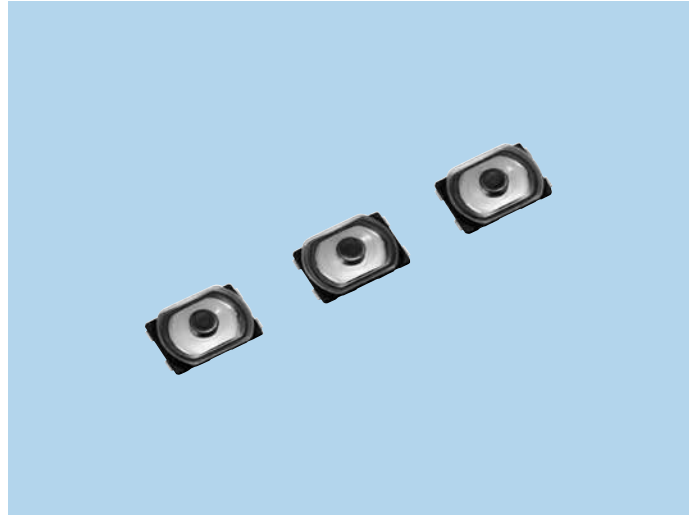


# Waterproof Small Type Tactile Switch STU Series

## FEATURES

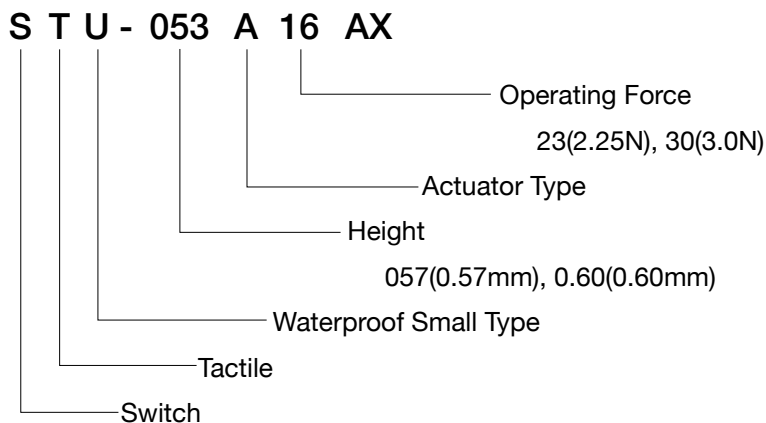
1. IP68 water resistance and dust resistance.
2. Actuator on the center of spring prevents deterioration of operating feel due to misalignment between switch and knob.
3. Sharp click feel and long operating life.



## APPLICATIONS

1. Small electrical devices such as Mobile phones, Smart phones, Wearable devices.
2. The equipment to use in outdoor, use in dusty place.

## MODEL NAME CODE



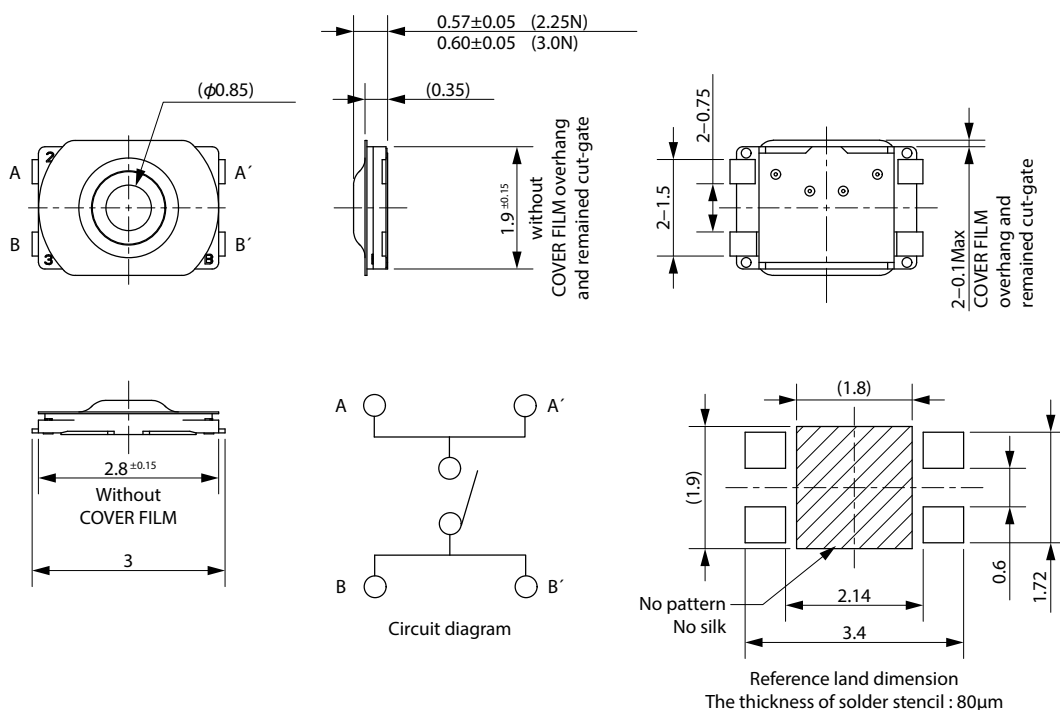
## SPECIFICATIONS

|                            |                         |                            |
|----------------------------|-------------------------|----------------------------|
| Electrical Characteristics | Rating (Resistive load) | DC15V, 20mA (maximum)      |
|                            | Contact Resistance      | DC2V, 10 $\mu$ A (minimum) |
| Life                       | STU-057A23AC            | 500,000 times              |
|                            | STU-060A30AX            | 300,000 times              |
| Water Resistance           | Protective resistance   | IP68                       |

## TYPE

| Model Name Code | Model Name | Operating Force | Pcs/Reel |
|-----------------|------------|-----------------|----------|
| STU-057A23AC    | R66 7966   | 2.25N           | 20,000   |
| STU-060A30AX    | R66 8098   | 3.0N            | 20,000   |

## DIMENSIONS



Unit: mm