

FEATURES

- Smaller mounting area
- Stainless steel dome material for long life and good click feel
- Suitable for mounting a narrow key pitch
- Suitable for SMT reflow soldering

APPLICATIONS

- Smartphones
- Digital cameras
- Gaming devices
- Other small electronic devices - consumer, medical



PART NUMBER CODE

Series	Earth Terminal	Height	Operating Force	Standard	Boss, Button	Packaging
<input type="text" value="SOF"/>	<input type="text" value="2 (with)"/>	<input type="text" value="3 (2.0mm)"/> <input type="text" value="4 (1.0mm)"/> <input type="text" value="6 (1.5mm)"/>	<input type="text" value="2 (1.6N)"/> <input type="text" value="8 (1.9N)"/> <input type="text" value="9 (3.8N)"/>	<input type="text" value="H"/>	<input type="text" value="S (with, circle)"/> <input type="text" value="N (without, circle)"/> <input type="text" value="F (with, square)"/>	<input type="text" value="T (taping)"/>

SPECIFICATIONS

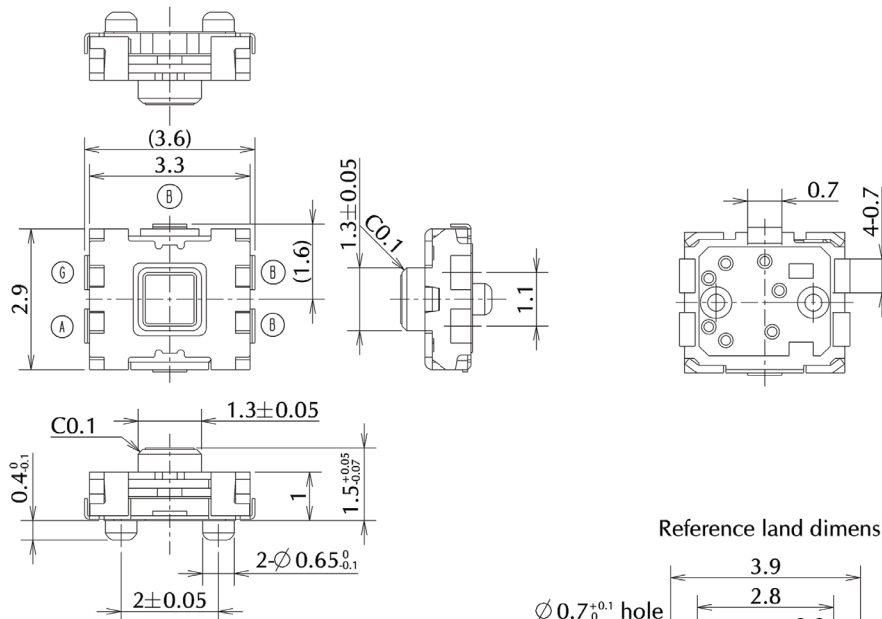
Switch Type	SPST	Tactile
Electrical Characteristics	Rating (Resistive Load)	DC12V, 50mA
	Contact Resistance	1Ω or less
	Insulation Resistance	10MΩ or more
	Withstand Voltage	1 minute at AC 100V
Life		100,000 times

TYPE

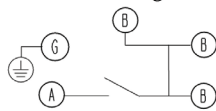
Model Name	Model No.	Operating Force	Travel	Button	Boss	Mounting Height	Pcs/Reel
SOF-242HST	R 667074	1.6N	0.12mm	Circle	With	1.0mm	5,000
SOF-242HNT	R 667075	1.6N	0.12mm	Circle	Without	1.0mm	5,000
SOF-262HST	R 667076	1.6N	0.12mm	Circle	With	1.5mm	5,000
SOF-262HNT	R 667077	1.6N	0.12mm	Circle	Without	1.5mm	5,000
SOF-232HST	R 667078	1.6N	0.12mm	Circle	With	2.0mm	4,000
SOF-232HNT	R 667079	1.6N	0.12mm	Circle	Without	2.0mm	4,000
SOF-268HFT	R 667903	1.9N	0.12mm	Square	With	1.5mm	5,000
SOF-269HFT	R 667766	3.8N	0.12mm	Square	With	1.5mm	5,000

DIMENSIONS

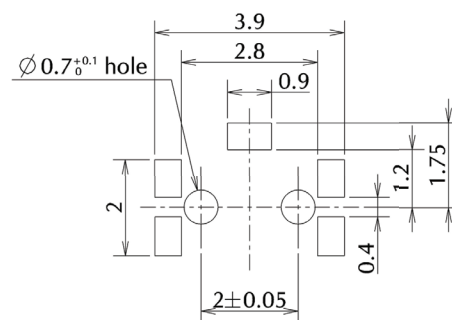
Square Button



Circuit Diagram



Reference land dimension



Reference thickness of solder stencil: 100 μm

SOF SERIES

Tactile Switch With Button

MITSUMI

TACTILE SWITCHES

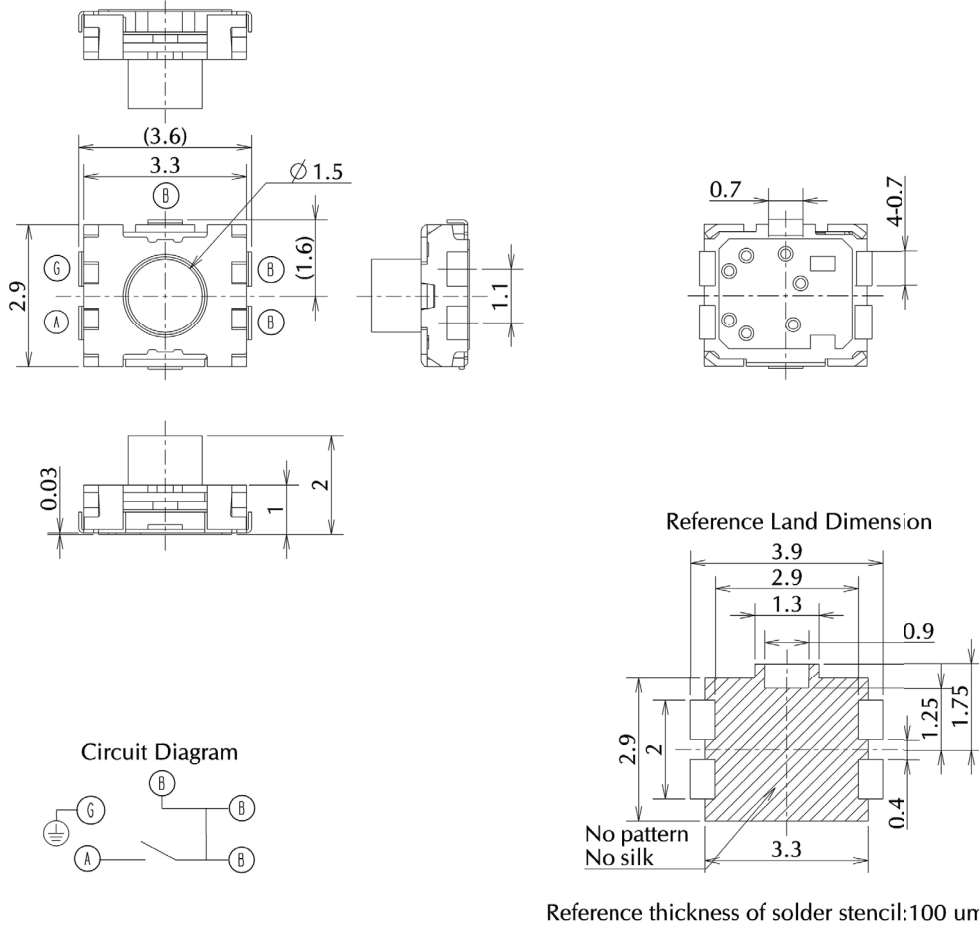
SLIDE SWITCHES

SWITCH SHEETS

SWITCH KITS

DIMENSIONS

Circle Button



Reference thickness of solder stencil: 100 um