

OC-M Type

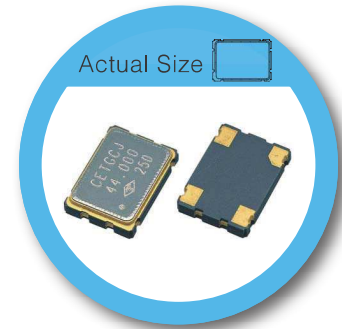
7.0 x 5.0 mm SMD Crystal Oscillator

FEATURE

- Typical 7.0 x 5.0 x 1.3 mm ceramic SMD package.
- Output frequency up to 200 MHz
- Tri-state enable/disable

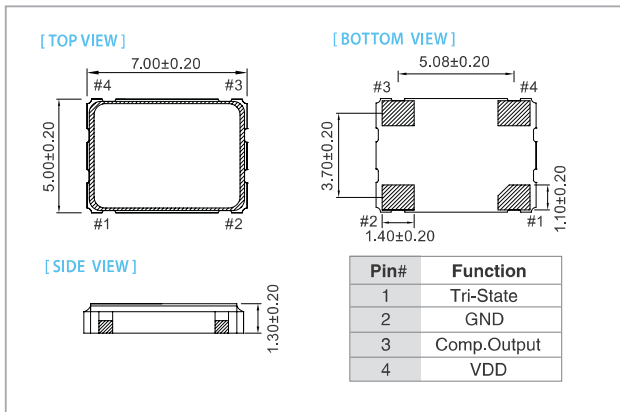
TYPICAL APPLICATION

- xDSL, WLAN, Fiber/10G-Bit Ethernet
- Notebook, PDA
- PC main board, VGA card

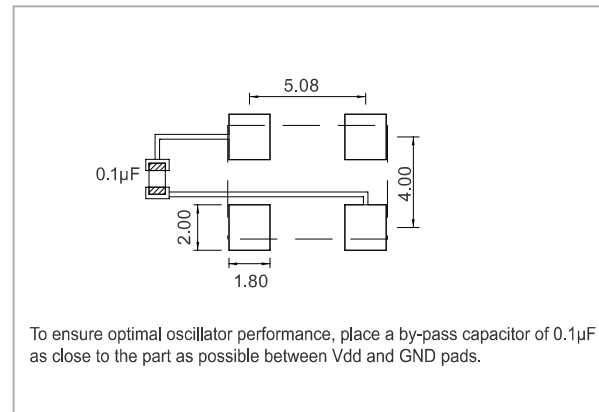


RoHS Compliant

DIMENSION (mm)



SOLDER PAD LAYOUT (mm)



ELECTRICAL SPECIFICATION

Parameter	3.3 V		2.5 V		1.8 V		unit
	Min.	Max.	Min.	Max.	Min.	Max.	
Supply Voltage Variation (VDD) ±10%	2.97	3.63	2.25	2.75	1.62	1.98	V
Frequency Range	1	200	1	166	11	110	MHz
Standard Frequency	75, 100, 125, 150, 200						
VDD Sensitivity (±10 %)	-2	2	-2	2	-2	2	ppm
Supply Current 1 MHz ≤ Fo ≤ 110 MHz	-	20	-	15	-	10	mA
110 MHz < Fo ≤ 166 MHz	-	25	-	20	-	-	
166 MHz < Fo ≤ 200 MHz	-	30	-	-	-	-	
Duty Cycle	40	60	40	60	40	60	%
Output Level (CMOS) Output High (Logic "1") Output Low (Logic "0")	2.97 -	- 0.33	2.25 -	- 0.25	1.62 -	- 0.18	V
Transition Time: Rise/Fall Time⁺ 1 MHz ≤ Fo ≤ 200 MHz	-	5	-	5	-	5	nSec
Start Time	-	5	-	5	-	5	mSec
Tri-State (Input to Pin 1) Enable (High voltage or floating) Disable (Low voltage or GND)	2.31 -	- 0.99	1.75 -	- 0.75	1.26 -	- 0.54	V
Period Jitter (Pk-Pk) Specific Frequency ^{**} Others	- -	40 200	- -	40 200	- -	40 200	pSec
Standby Current	-	15	-	15	-	15	µA
Aging (@ 25°C 1st year)	-	±3	-	±3	-	±3	ppm
Storage Temp. Range	-55	125	-55	125	-55	125	°C

Standard frequencies are frequencies which the crystal has been designed and does not imply a stock position.

+ Transition times are measured between 10% and 90% of VDD, with an output load of 15pF.

** Specific frequencies include 4.0, 6.0, 8.0, 12.0, 13.0, 16.0, 19.2, 20.0, 24.0, 26.0, 32.0, 38.4 and 40.0MHz

FREQ. STABILITY vs. TEMP. RANGE

Temp. (°C)	ppm	±20	±25	±50
-10 ~ +60	○	○	○	○
-20 ~ +70	△	○	○	○
-40 ~ +85	△	○	○	○

* ○ : Available △ : Conditional X : Not available

* Inclusive of calibration @ 25 °C, operating temperature range, input voltage variation, load variation, aging (1st year), shock, and vibration

Note: not all combination of options are available. Other specifications may be available upon request.

Specifications subject to change without notice.

Rev(10)04/2015
www.taitien.com
sales@taitien.com.tw