

Piezo Igniter
Model Name : NS-A63

NS-A63

Special Features

- High Output
- Dual Sparkability
- Easy Mountability
- Firm Anti-Dust Type
- Excellent Durability

Recommended Use

- Barbecue Gas Grill
- Portable Gas Heater
- Pilot Burning For Boiler
- Hot Water Heater
- Others

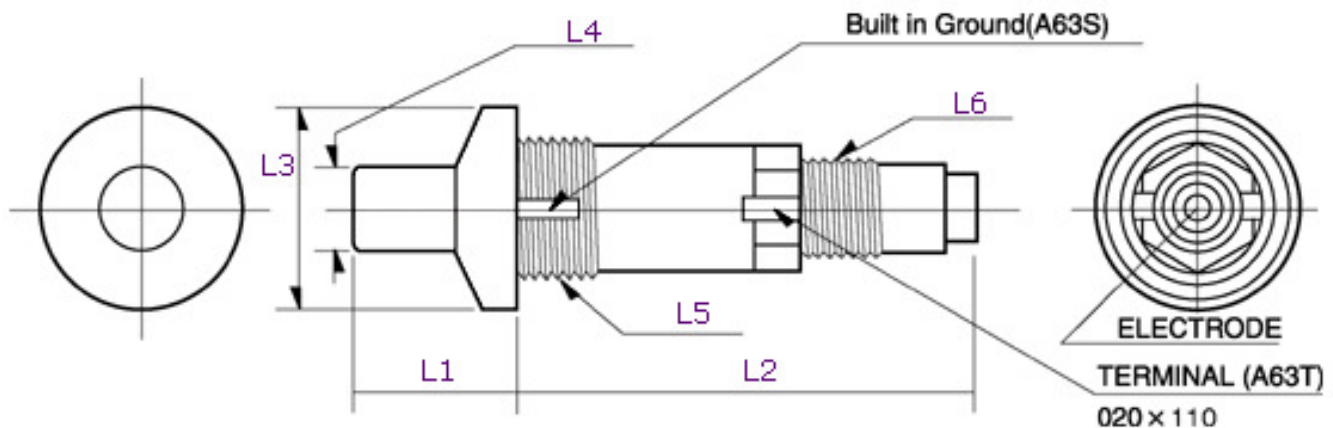
CHARACTERISTIC

- Output : Min.16KV
- Spark Gap : 5mm for Distinct Spark for A63S
4mm for Distinct Spark for A63T
- Capacitance : Min.30pF / 1KHz
- Insulation : Min.1MΩ / DC 1,000V
- Durability : 100,000times / Min.output13KV
- Heat Resistance : 120°C 24Hrs / Output drop ratio Max.10%
- Humidity Resistance : 60%60°C 3Hrs / Output drop ratio Max.20%
- Operating Power : Max.3.5kw



- NS-A63S : Single Spark Includes Built in Ground
- NS-A63T : Twin Sparks Includes 0.110 Terminal for 2nd Electrode & Ground Connection

[click]



- > L1(mm) : 20.5(13/16")
- > L2(mm) : 61.0(2-13/32")
- > L3(mm) : 25.4(1")Dia
- > L4(mm) : 10.0(13/32")Dia
- > L5(mm) : M18-1.5 Thread
- > L6(mm) : M12-0.75Thread