

PROGRAMMABLE PRECISION SHUNT REGULATOR TJ431/A/C

FEATURES

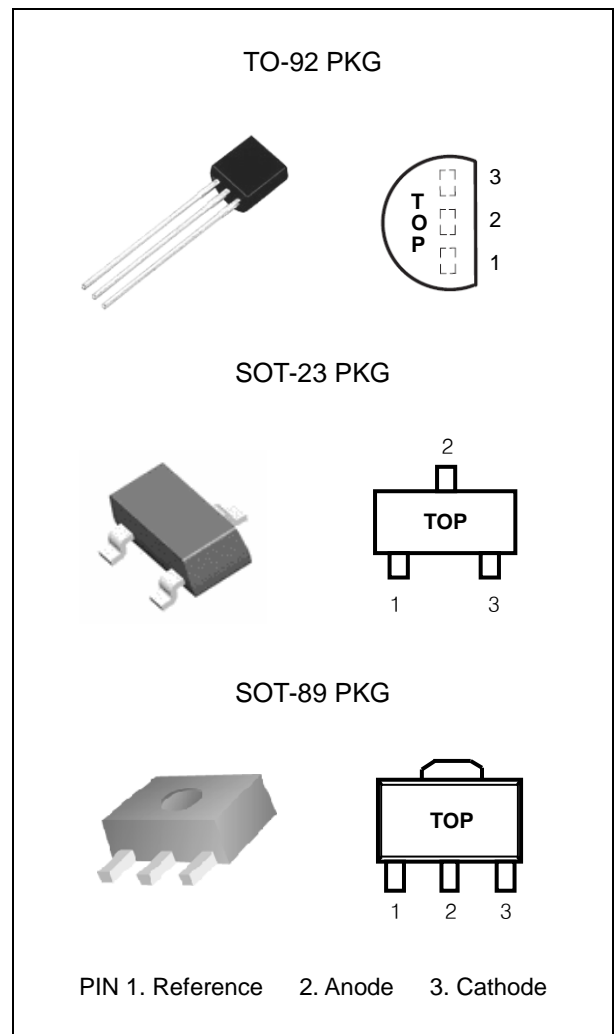
- Programmable Output Voltage to 28V
- Guaranteed 0.5% Reference Voltage Tolerance
- Cathode Current Range(Continuous) 100 mA
- Temperature Compensated For Operation Over Full Rate Operating Temperature Range
- Low Output Noise Voltage
- Fast Turn-on Response
- TO-92, SOT-89 or SOT-23 3L Package

APPLICATION

- Shunt Regulator
- Precision High-Current Series Regulator
- High-Current Shunt Regulator
- Crowbar Circuit
- PWM Converter With Reference
- Voltage Monitor
- Precision Current Limiter

DESCRIPTION

The TJ431 is a three-terminal adjustable shunt regulator with specified thermal stability over applicable temperature V_{REF} (Approx. 2.5V) and 28V with two external resistors. This device has a typical dynamic output impedance of 0.25Ω. Active output circuitry provides a very sharp turn-on characteristic, making this device excellent replacement for zener diodes in many applications. The TJ431 is characterized for operation from -40°C to +125°C.



ORDERING INFORMATION

Device	Package
TJ431	TO-92(Bulk)
TJ431TA	TO-92(Taping)
TJ431SF	SOT-23 3L
TJ431F	SOT-89 3L

* Refer to the page 2 for detailed ordering Information,

Absolute Maximum Ratings

(Operating temperature range applies unless otherwise specified)

CHARACTERISTIC	SYMBOL	MIN.	MAX.	UNIT
Cathode Voltage	V_{KA}	-	37	V
Cathode Current Range(Continuous)	I_K	-100	150	mA
Reference Input Current Range	I_{REF}	-0.05	10	mA
Junction Temperature Range	T_J	-40	150	°C
Operating Temperature Range	T_{OPR}	-40	125	°C
Storage Temperature Range	T_{STG}	-65	150	°C

PROGRAMMABLE PRECISION SHUNT REGULATOR TJ431/A/C

RECOMMENDED OPERATING CONDITIONS

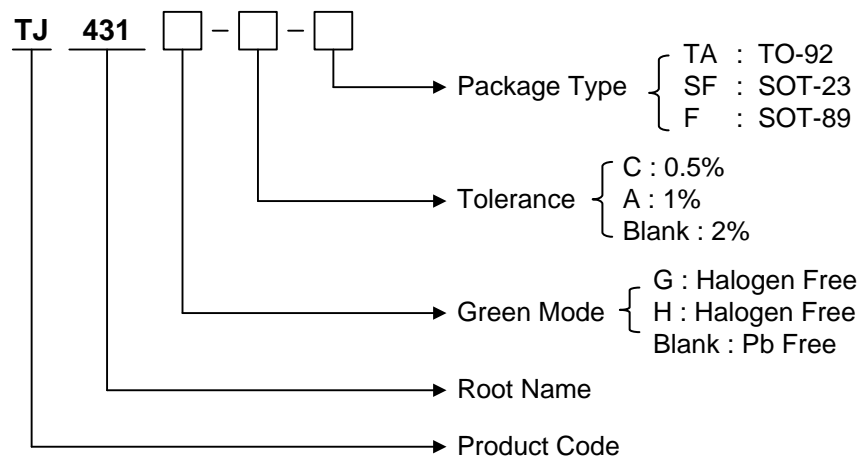
CHARACTERISTIC	SYMBOL	MIN.	MAX.	UNIT
Cathode Voltage	V_{KA}	V_{REF}	28	V
Cathode Current	I_K	1.0	100	mA

Ordering Information

V_{REF}	Package	Tolerance	Order No.	Package Marking	Supplied As
2.495V	TO-92	0.5%	TJ431C	-	Bulk
			TJ431GC	-	
			TJ431CTA	-	Tape
			TJ431GCTA	-	
		1%	TJ431A	-	Bulk
			TJ431GA	-	
			TJ431ATA	-	Tape
			TJ431GATA	-	
		2%	TJ431	-	Bulk
			TJ431G	-	
			TJ431TA	-	Tape
			TJ431GTA	-	
	SOT-23	0.5%	TJ431CSF	-	Reel
			TJ431GCSF	-	
		1%	TJ431ASF	-	Reel
			TJ431GASF	-	
		2%	TJ431SF	-	Reel
			TJ431GSF	-	
	SOT-89	0.5%	TJ431CF	-	Reel
		1%	TJ431AF	-	Reel
2%		TJ431F	-	Reel	

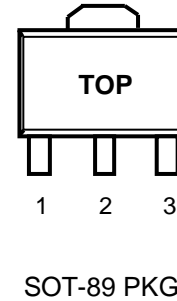
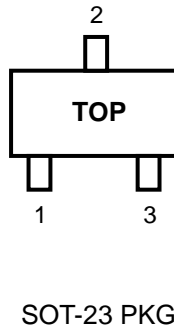
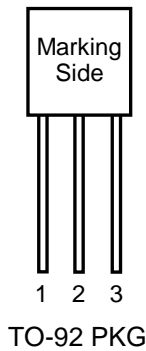
PROGRAMMABLE PRECISION SHUNT REGULATOR TJ431/A/C

Ordering Information (continued)



PROGRAMMABLE PRECISION SHUNT REGULATOR TJ431/A/C

PIN CONFIGURATION



PIN DESCRIPTION

Pin No.	TO-92 / SOT-23 / SOT-89	
	Name	Function
1	Reference	Reference Voltage
2	Anode	Ground
3	Cathode	Input Supply Voltage

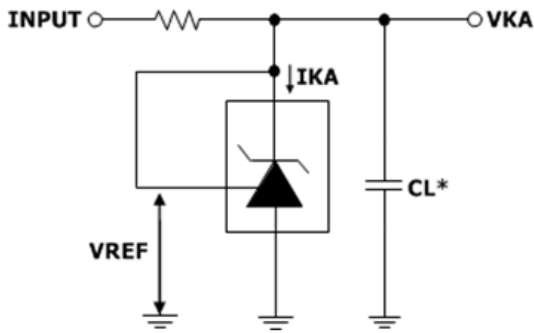
TJ431 ELECTRICAL CHARACTERISTICS

($T_A=25^\circ\text{C}$, unless otherwise specified)

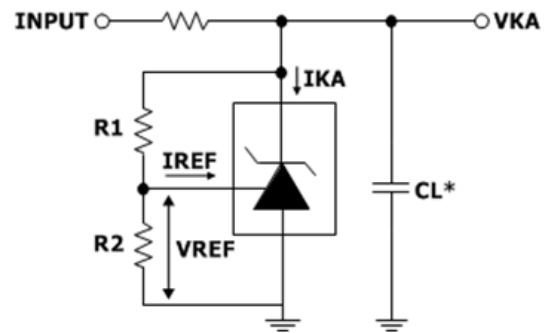
CHARACTERISTIC	SYMBOL	TEST CONDITION	MIN.	TYP.	MAX.	UNIT	
Reference Input Voltage	V_{REF}	$V_{KA}=V_{REF}$, $I_K=10\text{mA}$	TJ431C	2.483	2.495	2.507	V
			TJ431A	2.470	2.495	2.520	
			TJ431	2.440	2.495	2.550	
Deviation of Reference Input Voltage	$\Delta V_{REF}/\Delta T$	$V_{KA}=V_{REF}$, $I_K=10\text{mA}$ $T_A=\text{Full Range}$		35	50	mV	
Ratio of Change in Reference Input Voltage to the Change in Cathode Voltage	$\Delta V_{REF}/\Delta V_{KA}$	$I_K=10\text{mA}$	$\Delta V_{KA}=10\text{V to }V_{REF}$	-2.7	-1.0		mV/V
			$\Delta V_{KA}=28\text{V to }10\text{V}$	-2	-0.4		
Reference Input Current	I_{REF}	$I_{KA}=10\text{mA}$, $R_1=10\text{k}\Omega$, $R_2=\infty$		0.5	1.2	μA	
Deviation of Reference Input Current	$\Delta I_{REF}/\Delta T$	$I_K=10\text{mA}$, $R_1=10\text{k}\Omega$, $R_2=\infty$ $T_A=\text{Full Range}$		0.4	1.2	μA	
Minimum Cathode Current for Regulation	$I_{K(MIN)}$	$V_{KA}=V_{REF}$		0.4	1.0	mA	
Off-State Cathode Current	$I_{K(OFF)}$	$V_{KA}=28\text{V}$, $V_{REF}=0$		0.1	1.0	μA	
Dynamic Impedance	Z_{KA}	$V_{KA}=V_{REF}$, $I_K=1\text{mA}\sim 100\text{mA}$ $f \leq 1\text{kHz}$		0.25	0.50	Ω	

PROGRAMMABLE PRECISION SHUNT REGULATOR TJ431/A/C

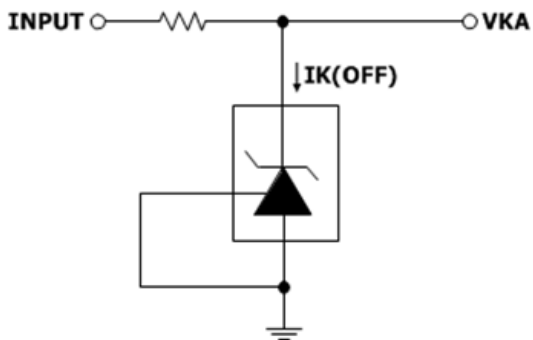
TEST CIRCUITS



< Fig 1. Test circuit for $V_{KA} = V_{REF}$ >



< Fig 2. Test circuit for $V_{KA} \geq V_{REF}$ >



< Fig 3. Test circuit for $I_{KA(OFF)}$ >

PROGRAMMABLE PRECISION SHUNT REGULATOR TJ431/A/C

REVISION NOTICE

The description in this datasheet can be revised without any notice to describe its electrical characteristics properly.