



VISION 6FM 120S 12V 120Ah

Specifications

Nominal Voltage		12V
Rated Capacity (20 hour rate)		120Ah
Dimensions	Total Height (with terminals)	8.66 inches (220mm)
	Height	8.43 inches (214mm)
	Length	13.0 inches (330mm)
	Width	6.73 inches (171mm)
Weight		Approx. 71.61lbs (32.5Kg)

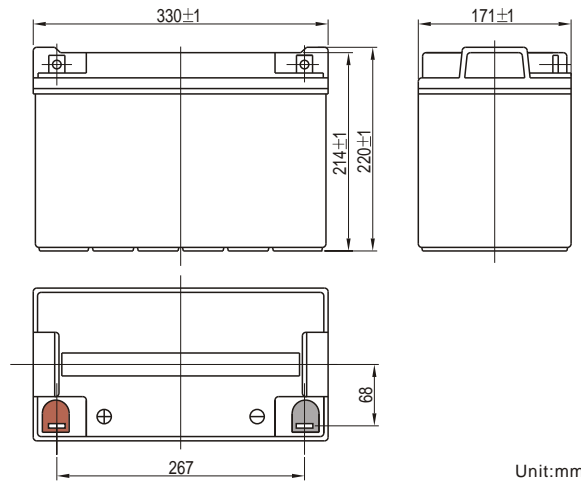
Characteristics

Capacity* 77°F(25°C)	20 hour rate (6A)	120Ah
	10 hour rate (11.5A)	115Ah
Internal Resistance	5 hour rate (18.5A)	92.5Ah
	1 hour rate (72A)	72Ah
	15 minute Rate (214A)	53.5Ah
Capacity affected by Temperature (20 hour rate)	Full charged Battery 77°F(25°C)	4.3mW
	104°F(40°C)	102%
Self-Discharge 68°F(20°C)	77°F(25°C)	100%
	32°F(0°C)	85%
	5°F(-15°C)	65%
Max. Discharge Current 77°F(25°C)	Capacity after 3 month storage	90%
	Capacity after 6 month storage	80%
Terminal	Capacity after 12 month storage	60%
		950A (5s)
Charge (Constant Voltage)	Cycle	14.4-14.7V/77°F(25°C) Max. Current 36A
	Float	13.6-13.8V/77°F(25°C)

Constant power discharge ratings-watts per cell at 25°C(77°F)

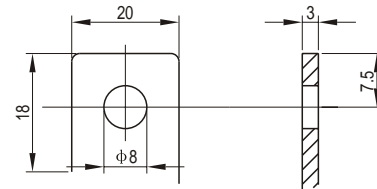
End Point Volts/Cell	5min	10min	15min	30min	45min	1h	2h	3h	5h
1.60V	588	472	349	249	160	126	90.1	59.1	38.0
1.65V	551	445	330	236	152	121	87.4	57.7	37.3
1.70V	515	417	311	224	145	115	84.5	56.1	36.6
1.75V	479	390	292	211	137	110	81.2	54.4	35.8
1.80V	443	362	272	198	129	104	77.7	52.6	34.9

*The above data are average values, and can be obtained within 3 charge/discharge cycles. These are not minimum values.



Unit:mm

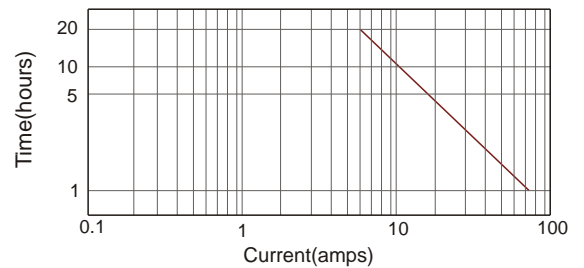
Terminal (F5)



■ Optional Terminal: F11(See Page 9)

Unit:mm

Discharge current v's time 77°F(25°C)



Discharge characteristic (25°C)

