



CP656
6V 5.6Ah

Specifications

Nominal Voltage		6V
Rated Capacity (20 hour rate)		5.6Ah
Dimensions	Total Height (with terminals)	4.21 inches (107mm)
	Height	3.98 inches (101mm)
	Length	2.76 inches (70mm)
	Width	1.85 inches (47mm)
Weight		Approx. 2.121lbs (0.96Kg)

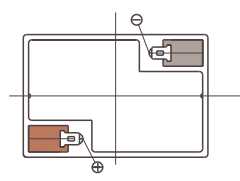
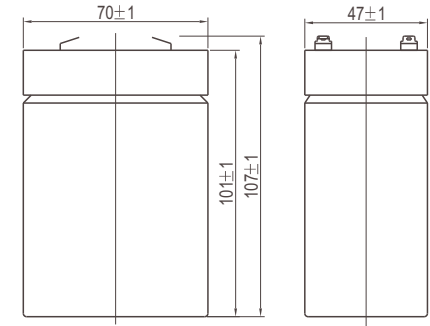
Characteristics

Capacity* 77°F(25°C)	20 hour rate (0.28A)	5.6Ah
	10 hour rate (0.5A)	5Ah
	5 hour rate (0.93A)	4.65Ah
	1 hour rate (3.4A)	3.4Ah
	15 minute Rate (10.5A)	2.63Ah
Internal Resistance	Full charged Battery 77°F(25°C)	20mΩ
Capacity affected by Temperature (20 hour rate)	104°F(40°C)	102%
	77°F(25°C)	100%
	32°F(0°C)	85%
	5°F(-15°C)	65%
Self-Discharge 68°F(20°C)	Capacity after 3 month storage	90%
	Capacity after 6 month storage	80%
	Capacity after 12 month storage	60%
Max. Discharge Current 77°F(25°C)	84A (5s)	
Terminal	F1	
Charge (Constant Voltage)	Cycle	7.25-7.45V/77°F(25°C) Max. Current 2.24A
	Float	6.8-6.9V/77°F(25°C)

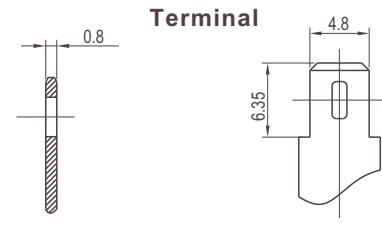
Constant power discharge ratings-watts per cell at 25°C(77°F)

End Point Volts/Cell	5min	10min	15min	30min	45min	1h	2h	3h	5h
1.60V	40.0	26.0	20.3	11.7	8.70	7.20	4.09	2.82	1.92
1.65V	37.5	24.5	19.2	11.1	8.30	6.90	3.97	2.75	1.89
1.70V	35.0	23.0	18.1	10.5	7.90	6.50	3.83	2.67	1.85
1.75V	32.6	21.5	17.0	9.90	7.40	6.20	3.68	2.59	1.81
1.80V	30.2	20.0	15.9	9.30	7.00	5.90	3.53	2.51	1.77

*The above data are average values, and can be obtained within 3 charge/discharge cycles. These are not minimum values.

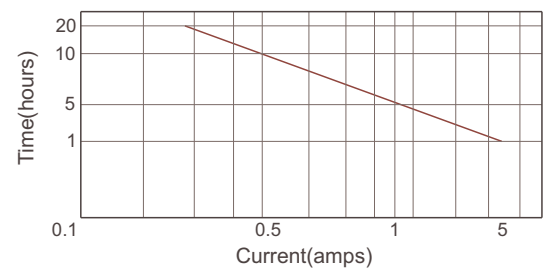


Unit:mm



Unit:mm

Discharge current v's time 77°F(25°C)



Discharge characteristic (25°C)

