



VISION CP640E 6V 4Ah

Specifications

Nominal Voltage		6V
Rated Capacity (20 hour rate)		4Ah
Dimensions	Total Height (with terminals)	4.21 inches (107mm)
	Height	3.98 inches (101mm)
	Length	2.76 inches (70mm)
	Width	1.85 inches (47mm)
Weight		Approx. 1.721lbs (0.78Kg)

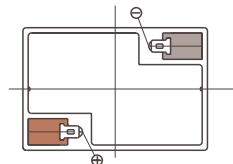
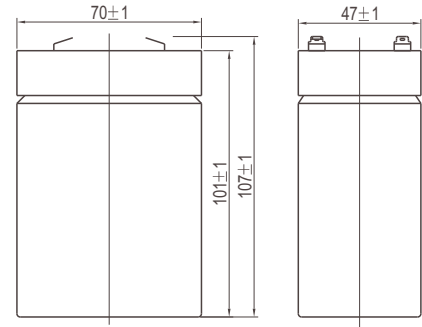
Characteristics

Capacity* 77°F(25°C)	20 hour rate (0.2A)	4Ah
	10 hour rate (0.38A)	3.8Ah
	5 hour rate (0.69A)	3.45Ah
	1 hour rate (2.74A)	2.74Ah
	15 minute Rate (7.84A)	1.96Ah
Internal Resistance	Full charged Battery 77°F(25°C)	25mΩ
Capacity affected by Temperature (20 hour rate)	104°F(40°C)	102%
	77°F(25°C)	100%
	32°F(0°C)	85%
	5°F(-15°C)	65%
Self-Discharge 68°F(20°C)	Capacity after 3 month storage	90%
	Capacity after 6 month storage	80%
	Capacity after 12 month storage	60%
Max. Discharge Current 77°F(25°C)	60A (5s)	
Terminal		F1
Charge (Constant Voltage)	Cycle	7.25-7.45V/77°F(25°C) Max. Current 1.6A
	Float	6.8-6.9V/77°F(25°C)

Constant power discharge ratings-watts per cell at 25°C(77°F)

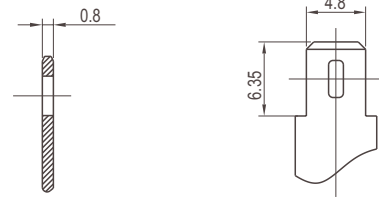
End Point Volts/Cell	5min	10min	15min	30min	45min	1h	2h	3h	5h
1.60V	28.3	18.7	14.9	8.67	6.72	5.41	3.35	2.35	1.47
1.65V	26.6	17.6	14.1	8.23	6.41	5.19	3.25	2.30	1.44
1.70V	24.8	16.5	13.3	7.79	6.09	4.95	3.14	2.23	1.41
1.75V	23.1	15.4	12.5	7.34	5.76	4.70	3.01	2.17	1.38
1.80V	21.4	14.3	11.7	6.88	5.43	4.45	2.88	2.09	1.35

*The above data are average values, and can be obtained within 3 charge/discharge cycles. These are not minimum values.



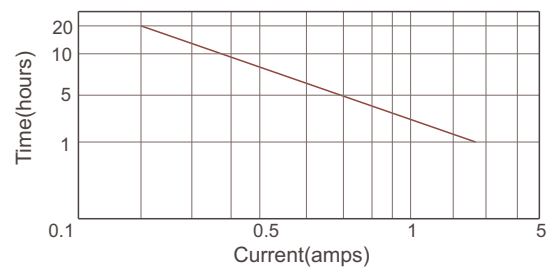
Unit:mm

Terminal



Unit:mm

Discharge current v's time 77°F(25°C)



Discharge characteristic (25°C)

