

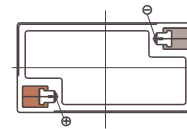
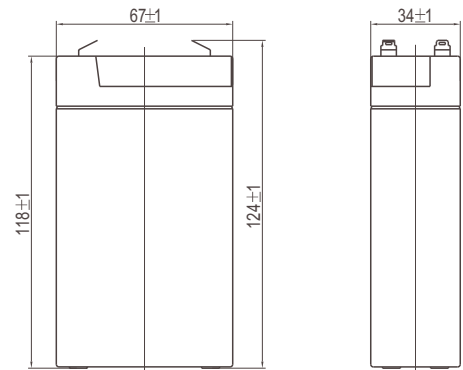



CP632SA

6V 3.2Ah

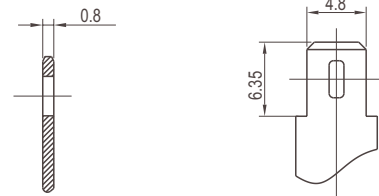
Specifications

Nominal Voltage		6V
Rated Capacity (20 hour rate)		3.2Ah
Dimensions	Total Height (with terminals)	4.88 inches (124mm)
	Height	4.65 inches (118mm)
	Length	2.64 inches (67mm)
	Width	1.34 inches (34mm)
Weight		Approx. 1.571lbs (0.71Kg)



Unit:mm

Terminal

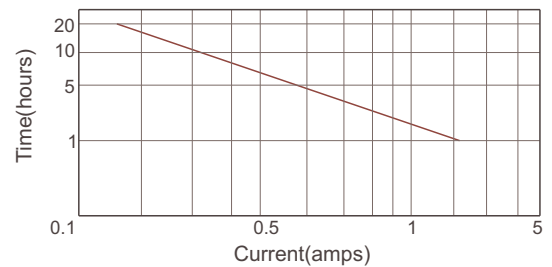


Unit:mm

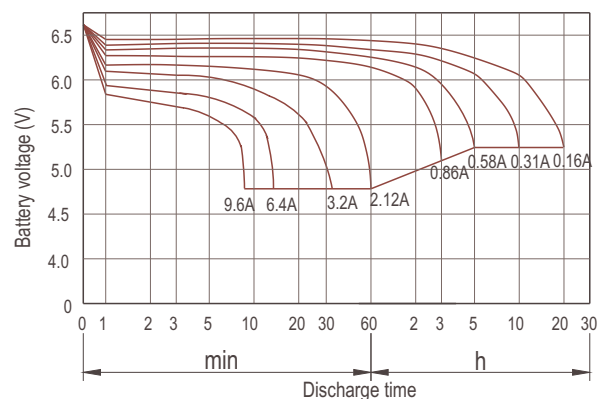
Characteristics

Capacity* 77°F(25°C)	20 hour rate (0.16A)	3.2Ah
	10 hour rate (0.31A)	3.1Ah
	5 hour rate (0.58A)	2.9Ah
	1 hour rate (2.12A)	2.12Ah
	15 minute Rate (6.15A)	1.54Ah
Internal Resistance	Full charged Battery 77°F(25°C)	34mΩ
Capacity affected by Temperature (20 hour rate)	104°F(40°C)	102%
	77°F(25°C)	100%
	32°F(0°C)	85%
	5°F(-15°C)	65%
Self-Discharge 68°F(20°C)	Capacity after 3 month storage	90%
	Capacity after 6 month storage	80%
	Capacity after 12 month storage	60%
Max. Discharge Current 77°F(25°C)	48A (5s)	
Terminal		F1
Charge (Constant Voltage)	Cycle	7.25-7.45V/77°F(25°C) Max. Current 1.28A
	Float	6.8-6.9V/77°F(25°C)

Discharge current v's time 77°F(25°C)



Discharge characteristic (25°C)



Constant power discharge ratings-watts per cell at 25°C(77°F)

End Point Volts/Cell	5min	10min	15min	30min	45min	1h	2h	3h	5h
1.60V	21.0	14.0	10.9	6.64	4.97	3.85	2.56	1.83	1.24
1.65V	19.7	13.2	10.3	6.30	4.74	3.69	2.48	1.78	1.22
1.70V	18.4	12.4	9.67	5.96	4.50	3.52	2.40	1.73	1.19
1.75V	17.1	11.6	9.07	5.62	4.26	3.34	2.31	1.68	1.17
1.80V	15.8	10.8	8.47	5.27	4.01	3.16	2.21	1.62	1.14

*The above data are average values, and can be obtained within 3 charge/discharge cycles. These are not minimum values.