

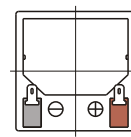
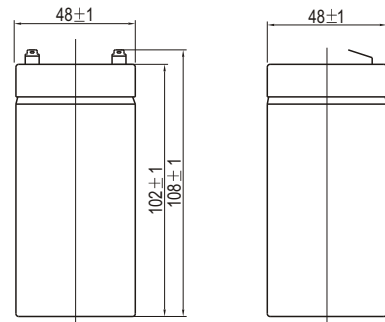



CP445

4V 4.5Ah

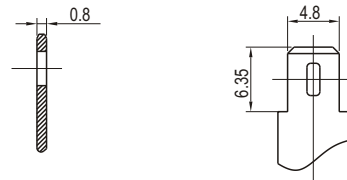
Specifications

Nominal Voltage		4V
Rated Capacity (20 hour rate)		4.5Ah
Dimensions	Total Height (with terminals)	4.25 inches (108mm)
	Height	4.02 inches (102mm)
	Length	1.89 inches (48mm)
	Width	1.89 inches (48mm)
Weight		Approx. 1.371lbs (0.62Kg)



Unit:mm

Terminal

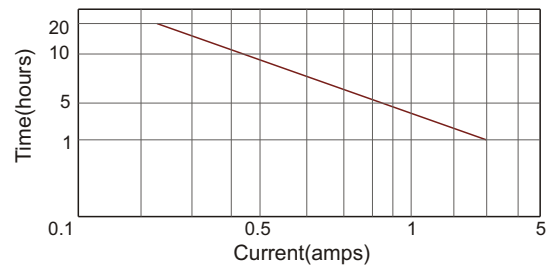


Unit:mm

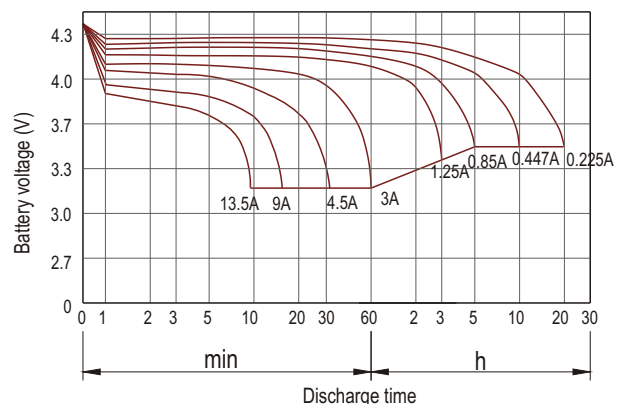
Characteristics

Capacity* 77°F(25°C)	20 hour rate (0.225A)	4.5Ah
	10 hour rate (0.447A)	4.47Ah
	5 hour rate (0.85A)	4.25Ah
	1 hour rate (3A)	3Ah
	15 minute Rate (9.4A)	2.35Ah
Internal Resistance	Full charged Battery 77°F(25°C)	14mΩ
Capacity affected by Temperature (20 hour rate)	104°F(40°C)	102%
	77°F(25°C)	100%
	32°F(0°C)	85%
	5°F(-15°C)	65%
Self-Discharge 68°F(20°C)	Capacity after 3 month storage	90%
	Capacity after 6 month storage	80%
	Capacity after 12 month storage	60%
Max. Discharge Current 77°F(25°C)	67.5A (5s)	
Terminal		F1
Charge (Constant Voltage)	Cycle	4.85-4.97V/77°F(25°C) Max. Current 1.8A
	Float	4.54-4.6V/77°F(25°C)

Discharge current v's time 77°F(25°C)



Discharge characteristic (25°C)



Constant power discharge ratings-watts per cell at 25°C(77°F)

End Point Volts/Cell	5min	10min	15min	30min	45min	1h	2h	3h	5h
1.60V	30.7	19.2	15.9	9.33	7.24	5.49	3.51	2.50	1.81
1.65V	28.8	18.1	15.1	8.86	6.91	5.26	3.41	2.44	1.77
1.70V	26.9	17.0	14.2	8.38	6.57	5.02	3.29	2.38	1.74
1.75V	25.0	15.9	13.3	7.90	6.21	4.76	3.16	2.30	1.70
1.80V	23.2	14.7	12.4	7.41	5.85	4.51	3.03	2.23	1.66

*The above data are average values, and can be obtained within 3 charge/discharge cycles. These are not minimum values.