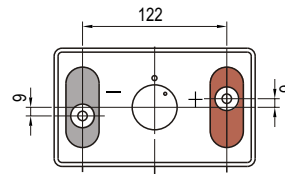
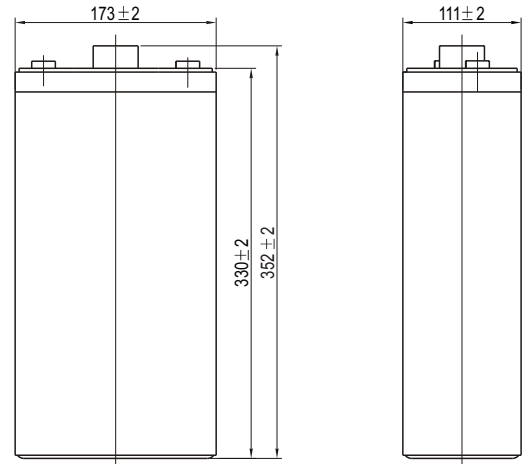




VISION **CL 200** 2V 200Ah

Specifications

Nominal Voltage		2V
Rated Capacity (10 hour rate)		200Ah
Dimensions	Total Height (with terminals)	14.3 inches (364mm)
	Height	13.0 inches (330mm)
	Length	6.81 inches (173mm)
	Width	4.37 inches (111mm)
Weight		Approx.33.11lbs (15Kg)



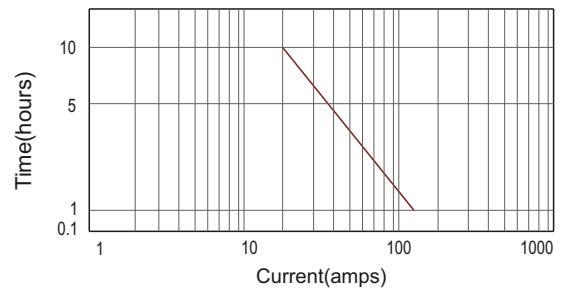
Characteristics

Capacity* 77°F(25°C)	10 hour rate (20A)	200Ah
	5 hour rate (36.3A)	181.5Ah
	1 hour rate (132A)	132Ah
	15 minute Rate (294A)	73.5Ah
Internal Resistance	Full charged Battery 77°F(25°C)	0.80mΩ
Capacity affected by Temperature (20 hour rate)	104°F(40°C)	102%
	77°F(25°C)	100%
	32°F(0°C)	85%
	5°F(-15°C)	65%
Self-Discharge 68°F(20°C)	Capacity after 3 month storage	90%
	Capacity after 6 month storage	80%
	Capacity after 12 month storage	60%
Max. Discharge Current 77°F(25°C)	1000A (5s)	
Terminal		F10
Charge (Constant Voltage)	Cycle	2.35-2.45V/77°F(25°C) Max. Current 40A
	Float	2.25-2.3V/7°F(25°C)

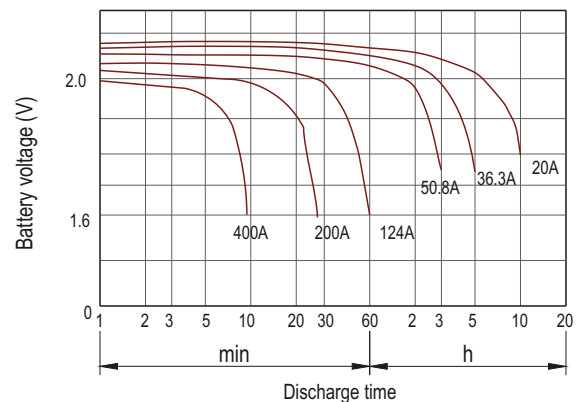
Total height with removeable cover: 364

Unit:mm

Discharge current v's time 77°F(25°C)



Discharge characteristic (25°C)



Constant power discharge ratings-watts per cell at 25°C(77°F)

End Point Volts/Cell	10min	15min	30min	45min	1h	2h	3h	5h
1.60V	568	515	392	294	245	146	106	78.0
1.65V	535	487	372	280	235	142	104	76.6
1.70V	502	458	352	266	224	137	101	75.1
1.75V	469	430	332	252	213	132	98.0	73.5
1.80V	436	402	311	237	201	126	94.7	71.7

*The above data are average values, and can be obtained within 3 charge/discharge cycles. These are not minimum values.